

5700[®] ALL-DAY BATTERY RIDE-ON SCRAPER

SERVICE MANUAL



Read Manual Before Servicing Machine

Table of Contents

Table of Contents	3
Specifications	4
Maintenance Schedule	8
Troubleshooting Guide	9
Maintenance	10
Manual Slide Plate Removal	10
Dual Slide Plate Removal	10
Leak Maintenance	10
Check Oil Level	10
Oil Change Out	11
Change/Remove Hose	11
Change Wheel Motor	11
Remove/Replace Foot Peg	11
Change Pump	11
Change Valve	11
Change Motor	12
Change Hydraulic Cylinder	12
Change Hydraulic Filter	12
Change Rear Wheel	12
Change Caster	12
Seat Replacement	13
Clean Wheel Motor Build-Up	13
Parts List and Diagrams	14
Caster Wheel Assembly	15
Rear Wheel Assembly	15
Foot Peg Assembly	15
Spool and Hose Parts (Dual Lift)	16
Spool and Hose Parts (Manual Lift)	16
Filter and Tank Parts	16
Suction Assembly	17
Gear Pump Assembly	18
Motor Parts	18
Control Lever Parts (Dual Lift)	19
Control lever parts (Manual Lift)	20
Dual Slide Plate	21
Manual Slide Plate	22
Electrical Box Assembly	23
Battery	23
Battery Risers	24
LVI Light Assembly	24
Instruction Tube Assembly	24
Backup Beeper Assembly	25
Hood Bumper Assembly	25
Front Wheel Assembly	25
Power Controls	26
Hour Meter	26
Hose Clamp Assembly	26
Breather Dip Stick	26
Seat Switch	27
Seat Harness	27
Seat Assembly	27
Weights	27
Labels	28
Wiring Diagrams	29
Warranty	32

Specifications

Product Specifications

Width	Length	Height	Weight (Machine Only)	Weight (Fully Weighted)	Removable Weight
24.5" (62 cm)	54" (149 cm)	50.5" (128 cm)	2,059 lb (933.9 kg)	2,244 lb (1,017.9 kg)	185 lb (83.9 kg)
Run Time	Power	Max. Speed	Max. Speed (5700-18XXXX and 5700HS-23XXXX Only)		Sound Level
8-12 hours*	2.98 kW	120 ft/min	160 ft/min		94-97 dB(A)*

*Run time may vary depending on battery age, state of charge, or other factors.

**Hearing protection is strongly recommended.

Machine Variants

Region	Serial Number	Power / Frequency	Body Panels	Slide Plate
Domestic	5700-10XXXX	120 / 60	Silver Vein	Manual Lift
	5700-12XXXX	120 / 60	Green	Manual Lift
	5700-17XXXX	120 / 60	Silver Vein	Dual Lift
	5700-18XXXX	120 / 60	Silver Vein	Manual Lift
	5700-23XXXX	120 / 60	Silver Vein	Manual Lift
	5700DL-23XXXX	120 / 60	Silver Vein	Dual Lift
	5700HS-23XXXX	120 / 60	Silver Vein	Manual Lift
International	5700-13XXXX	230 / 50	Silver Vein	Dual Lift
	5700-21XXXX	230 / 50	Silver Vein	Manual Lift
	5700-11XXXX	230 / 50	Silver Vein	Dual Lift
	5700-20XXXX	110 / 50	Silver Vein	Dual Lift
	5700-15XXXX	230 / 50	Orange	Dual Lift
	5700ML-13XXXX	230 / 50	Silver Vein	Manual Lift
	5700-26XXXX	230 / 50	Silver Vein	Dual Lift

Dual Lift



Manual Lift



GENERAL RULES FOR SAFE OPERATION

Before use, anyone operating or performing maintenance on this equipment must read and understand this manual, as well as any labels packaged with or attached to the machine and its components. Read the manual carefully to learn equipment applications and limitations, as well as potential hazards associated with this type of equipment. Keep manual near machine at all times. If your manual is lost or damaged, contact National Flooring Equipment (NFE) for a replacement.

Personal

Dress properly and use safety gear.

Do not wear loose clothing; it may be caught in moving parts. Anyone in the work area must wear safety goggles or glasses, hearing protection during extended use, and a dust mask for dusty operations. Hard hats, face shields, safety shoes, etc. should be worn when specified or necessary.

Maintain control; stay alert.

Keep proper footing and balance, and maintain a firm grip. Observe surroundings at all times and use common sense. Do not use when tired, distracted, or under the influence of drugs, alcohol, or any medication that may cause decreased control.

Keep hands away from all moving parts and tooling.

Wear gloves when changing tooling. Remove tooling when machine is not in use and/or lower cutting head to the floor.

Do not force equipment.

Equipment will perform best at the rate for which it was designed. Excessive force only causes operator fatigue, increased wear, and reduced control.

Environment

Avoid use in dangerous environments.

Do not use in rain, damp or wet locations, or in the presence of explosive atmospheres (gaseous fumes, dust, or flammable materials). Remove materials or debris that may be ignited by sparks. Keep work area tidy and well-lit - a cluttered or dark work area may lead to accidents. Extreme heat or cold may affect performance.

Protect others in the work area and be aware of surroundings.

Provide barriers or shields as needed to protect others from debris and machine operation. Children and other bystanders should be kept at a safe distance from the work area to avoid distracting the operator and/or coming into contact with the machine. Operator should be aware of who is around them and their proximity. Support personnel should never stand next to, in front of, or behind the machine while the machine is running. Operator should look behind them before backing up.

Guard against electric shock.

Ensure that machine is connected to a properly grounded outlet. Prevent bodily contact with grounded surfaces, e.g. pipes, radiators, ranges, and refrigerators. When scoring or making cuts, always check the work area for hidden wires or pipes.

Maintenance & Repairs

Begin maintenance work only when the machine is shut down, unplugged, and cooled down.

Use proper cleaning agents.

Ensure that all cleaning rags are fiber-free; do not use any aggressive cleaning products.

Schedule regular maintenance check-ups.

Ensure machine is properly cleaned and serviced. Remove all traces of oil, combustible fuel, or cleaning fluids from the machine and its connections and fittings. Retighten all loose fittings found during maintenance and repair work. Loose or damaged parts should be replaced immediately; use only NFE parts.

Do not weld or flame-cut on the machine during repairs, or make changes to machine without authorization from NFE.

Equipment

Use proper parts and accessories.

Only use NFE-approved or recommended parts and accessories. Using any that are not recommended may be hazardous.

Ensure accessories are properly installed and maintained.

Do not permanently remove a guard or other safety device when installing an accessory or attachment.

Inspect for damaged parts.

Check for misalignment, binding of moving parts, loose fasteners, improper mounting, broken parts, and any other conditions that may affect operation. If abnormal noise or vibration occurs, turn the machine off immediately. Do not use damaged equipment until repaired. Do not use if power switch does not turn machine on and off. For all repairs, insist on only identical NFE replacement parts.

Maintain equipment and labels.

Keep handles dry, clean, and free from oil and grease. Keep cutting edges sharp and clean. Follow instructions for lubricating and changing accessories. Motor and switches should be completely enclosed at all times with no exposed wiring. Inspect cord regularly. Labels carry important information; if unreadable or missing, contact NFE for a free replacement.

Avoid accidental starting; store idle equipment.

When not in use, ensure that the machine is unplugged and breaker is set to OFF. Store in a dry, secured place. Remove tooling when storing, and keep away from children.

Safety

RIDE-ON SCRAPER SAFETY GUIDELINES

Scraping

Do not drive machine along hills or uneven surfaces.

The weight of the machine may become distributed differently if on an uneven surface. Too much of an angle could make the machine unsafe or cause it to tip over. Always keep the front of the machine facing downward while traveling up or down ramps or inclines. Do not run the machine in unsafe environments.

Inspect work area for potential hazards prior to operation.

Observe location of electrical supplies and extension cords.

Do not allow cutting heads to come into contact with any electrical supply or extension cord.

Operator must be seated before starting machine and should stay seated until motor has stopped running.

This machine is equipped with a safety switch under the seat, which requires the operator to be seated before the machine can be operated. Do not attempt the start-up procedure without first being seated on the machine.

Batteries and Chargers

Use caution; risk of explosive gases.

Batteries generate explosive gases during normal operation. Do not use near fuels, grain, dust, solvents, or other flammables; never smoke near the machine, battery, or charger.

Inspect battery and charger regularly.

Disconnect charger from wall outlet before operating. Machine should be off before connecting to a power source. Periodically inspect batteries, cables, charger, and all plug connections. Be extremely cautious when working with batteries. Do not open or tamper with batteries; doing so could cause electrical shock.



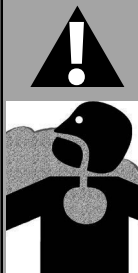
WARNING: BE CAUTIOUS WHEN WORKING WITH BATTERY. IF ELECTROLYTIC ACID GETS IN THE EYES, IMMEDIATELY FLUSH OUT WITH COLD, FRESH WATER FOR AT LEAST 10 MINUTES AND GET MEDICAL HELP.



WARNING: ONLY USE BATTERY/CHARGER CONFIGURATIONS SPECIFICALLY APPROVED BY NFE. USE OF A DIFFERENT OR INCORRECT CONFIGURATION HAS A HIGH RISK OF LEADING TO FIRE, PREMATURE BATTERY FAILURE, DAMAGE TO MACHINE, AND/OR BODILY INJURY.



CAUTION: THE RETURN CAPACITY WHEN CHARGING THE BATTERY IS NOT 1-TO-1. ENSURE THAT BATTERY IS ALLOWED TO CHARGE FOR A GREATER PERIOD OF TIME THAN IT WAS USED (IF NOT COMPLETING A FULL CHARGE). FOR MAXIMUM BATTERY LIFE, FULLY RECHARGE BATTERY (LED WILL APPEAR SOLID GREEN) AT LEAST TWICE PER WEEK. FAILURE TO DO SO MAY RESULT IN SHORTER RUNTIMES AND PREMATURE BATTERY FAILURE.



WARNING: GRINDING/CUTTING/DRILLING OF MASONRY, CONCRETE, METAL AND OTHER MATERIALS CAN GENERATE DUST, MISTS AND FUMES CONTAINING CHEMICALS KNOWN TO CAUSE SERIOUS FATAL INJURY OR ILLNESS, SUCH AS RESPIRATORY DISEASE, CANCER, BIRTH DEFECTS OR OTHER REPRODUCTIVE HARM. IF YOU ARE UNFAMILIAR WITH THE RISKS ASSOCIATED WITH THE PARTICULAR MATERIAL BEING CUT, REVIEW THE MATERIAL SAFETY DATA SHEET AND/OR CONSULT YOU EMPLOYER, THE MATERIAL MANUFACTURER/SUPPLIER, GOVERNMENTAL AGENCIES SUCH AS OSHA AND NIOSH AND OTHER AUTHORITIES ON HAZARDOUS MATERIALS. CALIFORNIA AND SOME OTHER AUTHORITIES, FOR INSTANCE, HAVE PUBLISHED LISTS OF SUBSTANCES KNOWN TO CAUSE CANCER, REPRODUCTIVE TOXICITY, OR OTHER HARMFUL EFFECTS. CONTROL DUST, MIST AND FUMES AT THE SOURCE WHERE POSSIBLE. IN THIS REGARD USE GOOD WORK PRACTICES AND FOLLOW THE RECOMMENDATIONS OF THE MANUFACTURER/SUPPLIER, OSHA/NIOSH, AND OCCUPATIONAL AND TRADE ASSOCIATIONS. WHEN THE HAZARDS FROM INHALATION OF DUST, MISTS AND FUMES CANNOT BE ELIMINATED, THE OPERATOR AND ANY BYSTANDERS SHOULD ALWAYS WEAR A RESPIRATOR APPROVED BY OSHA/MSHA FOR THE MATERIAL BEING CUT.

Charger Operation

Ensure proper use of charger.

- Once connected and plugged into AC power, the LED will indicate whether or not it is charging. Refer to manufacturer's charger manual.
- Only use charger on branch circuits protected by a circuit breaker or fuse that can carry the power of the charger.
- Do not use charger if it shows signs of physical stress, or if DC output leads or connector feel hot when used.
- Do not disconnect DC output clamps or connector from batteries while charger is on. This could cause an explosion.
- Failure to unplug AC power before moving equipment will damage cords, plugs, and receptacles.
- Do not over-discharge batteries, this could cause batteries to fail. Re-charge as soon as possible after discharge; if they are warm, first allow them to cool.
- Charger is not water proof, only resistant, and cannot withstand immersion, continuous exposure, or heavy rain.
- A drive lockout option will disable the drive mechanism of the machine while the charger is plugged in.
- There is a built-in Low Voltage Interrupter that continuously monitors for low voltage and will sound when voltage falls. At 44V the alarm will sound; stop immediately and recharge. At 43.5V the machine will auto-disconnect and shut down; let machine sit until batteries recover enough to drive to outlet.
- Chargers are equipped with a grounding plug.

Note: Leaving the charger plugged in does not harm the battery and is preferred to leaving the battery in a state of discharge.

HYDRAULIC SAFETY

Maintaining a Safe Work Environment

Establishing a safe work environment in and around your hydraulic equipment is extremely important. The easiest and most effective way to avoid problems is to make sure associates understand their equipment, know how to operate the machines safely, and recognize the dangers if handled carelessly. A few things to be aware of are:

- **Pressure:** Hydraulic fluid under pressure is dangerous and can cause serious injury. Never look for a leak when unit is under pressure. Using your hand could cause serious injury. A few common ways to encounter hydraulic fluid under pressure include:
 - Pinhole: Fluid under pressure can cause serious injury. It can be almost invisible escaping from a pinhole, and it can pierce the skin into the body.



DANGER: DO NOT TOUCH A PRESSURIZED HYDRAULIC HOSE ASSEMBLY WITH ANY PART OF THE BODY. IF FLUID PUNCTURES THE SKIN, EVEN IF NO PAIN IS FELT, A SERIOUS EMERGENCY EXISTS. OBTAIN MEDICAL ASSISTANCE IMMEDIATELY. FAILURE TO DO SO COULD RESULT IN LOSS OF THE INJURED BODY PART OR DEATH.

- Leak: Keep fittings and hoses tight. Only check and service when not under pressure. Leaking hydraulic fluid is hazardous; in addition to making workplace floors slippery and dangerous, it also contaminates the environment. Before cleaning an oil spill, always check EPA, state, and local regulations.
- Burst: Whether due to improper selection or damage, a ruptured hose can cause injury. If it bursts, a worker can be burned, cut, injected, or may slip and fall.
- Coupling Blow-Off: If the assembly is not properly made or installed, the coupling could come off and hit or spray a worker, possibly resulting in serious injury. Never operate machine without guards.
- **Flammability:** When ignited, some hydraulic fluids can cause fires and/or explode. With the exception of those comprised primarily of water, all hydraulic fluid is flammable (including many “fire-resistant” hydraulic fluids) when exposed to the proper conditions. Leaking pressurized hydraulic fluids may develop a mist or fine spray that can flash or explode upon contact with a source of ignition. These explosions can be very severe and could result in serious injury or death. Precautions should be taken to eliminate all ignition sources from contact with escaping fluids, sprays or mists resulting from hydraulic failures. Sources of ignition could be electrical discharges (sparks), open flames, extremely high temperatures, sparks caused by metal-to-metal contact, etc.



CAUTION: NEVER USE YOUR HANDS TO CHECK FOR LEAKS OVER HOSE OR HYDRAULIC CONNECTIONS. USE A PIECE OF CARDBOARD TO LOCATE A PRESSURIZED LEAK. FOR LOW PRESSURE LEAKS (DRIPS), USE A RAG TO CLEAN THE AREA AND DETERMINE WHERE THE LEAK ORIGINATES.

- **Mechanical:** Hydraulic fluid creates movement, which means some equipment may move. Observe surroundings and equipment at all times.
- **Moisture:** Do not use in wet or high moisture conditions.
- **Electrical:** Faulty wiring can be an electrical hazard. A regular preventive maintenance program should always include a wiring check. If applicable, disconnect battery before servicing.
- **Temperature:** Because this machine operates at a relatively low pressure, overheating is not common. If surface of tank becomes too hot to touch by hand (above 130°F or 55°C), shut off machine and allow it to cool.

Hydraulic Fluid

Only use Texaco Rando 46 Hydraulic Oil or Compatible Fluid like ISO32. Non-compatible fluids could cause damage to unit or serious injury.

Maintenance Schedule

Maintenance to be performed	Interval					
	Daily	160 hrs	1000 hrs	2000 hrs	After initial 50 hrs	After initial 500 hrs
Inspect extension cord for damage	•					
Check wheels, caster and wheel motors for build up; and clean	•					
Check hydraulic oil level	•					
Inspect all safety devices (e-stop, backup beeper, seat switch)	•					
Inspects for leaks (hoses and fittings)	•					
Blow out fan cover on the bottom of the motor after each job	•					
Grease front caster wheel			•			
Replace the hydraulic return line oil filter		•			•	
Replace in-tank strainers				○		
Replace hydraulic fluid			•			•

○ - Recommended to be replaced at the same time you replace the batteries on the machine.

It is recommended to perform initial maintenance during the break-in period when first operating the machine. After the first 250 operating hours the hydraulic oil filter should be replaced. At the 500 operating hour mark the hydraulic fluid should be replaced. Regular maintenance should be performed according to the schedule after.



WARNING: THE BACK-UP BEEPER IS ON THE MACHINE FOR SAFETY. IT IS IMPORTANT TO KEEP IT IN GOOD WORKING CONDITION. FAILURE TO DO SO COULD CAUSE BODILY INJURY.

Troubleshooting Guide

Problem	Cause	Solution
Machine will not start.	Seat safety switch is disengaged.	Ensure operator is seated.
	Emergency stop (E-Stop) switch is disengaged.	Twist E-Stop so that it is in the "POWER ON" position.
	Circuit breaker is in the "OFF" position.	Verify circuit breaker is in On position.
	48 volt blue plugs are not connected.	Make sure that connection plugs are fully installed.
	"Start" button did not fully engage.	Firmly press down green start button.
	Wire harness is disconnected.	Connect wire harness.
	Batteries are low.	Charge batteries.
Machine doesn't run as long as it used to.	Battery is not fully charging.	Verify that you are charging machine properly. Verify that charger is working properly. Charger has a LED light to indicate.
	The 48 volt blue plugs are not connected.	Check that connection plugs are fully installed.
	Batteries no longer hold a charge.	Contact NFE for procedure.
	Motor fan cover plugged with dust or debris.	Blow out fan cover after each job.
Machine is making rattling noises.	Loose hardware on machine.	Inspect and tighten bolts as needed.
Charger is hot.	Charger is in use.	This is normal.
Fluid is leaking from machine.	Hose connections/or fittings have loosened through normal use.	Tighten hydraulic hoses and fittings as needed.
	Pin hole in the hoses.	Replace affected hose.
	Oil and/or oil filter are old.	Replace oil and oil filter yearly on machine.
Tires/Wheel motors make a slight clicking noise.		Normal noise with proper operation.
Machine is jerky or jumpy.	New operator.	Additional time is required to become familiar with machine.
	Control levers are being moved too quickly.	Operate control levers with wrist resting on knees for additional support or purchase arm rest.
Coupling leaks at thread or seat.	Missing or damaged O-rings.	Check for missing or damaged O-rings; replace if necessary.
	Damaged threads due to misalignment or improper seat angle.	Correct seat angle. Check for thread damage; replace if necessary.
	Over or under torquing.	Only hand tighten hardware.
Any issues not listed above.		Contact NFE.

Maintenance



WARNING: ALWAYS DISCONNECT BATTERY BEFORE MAINTAINING.

MANUAL SLIDE PLATE REMOVAL

1. Disconnect machine from power.
2. Remove slide plate pin.
3. Remove cutting head bolt
4. Remove cylinder from slide plate.
5. Remove slide plate.



WARNING: SLIDE PLATE WILL DROP TO THE FLOOR WHEN SLIDE PLATE SECURING BOLTS ARE DISENGAGED. KEEP HANDS AND FEET OUT FROM UNDERNEATH SLIDE PLATE, FAILURE TO DO SO COULD CAUSE SEVERE BODILY INJURY.

OR

1. Disconnect machine from power.
2. Disconnect hydraulic lines from cylinder. A small amount of oil leak out of lines, place rag below line to catch fluid. Cap lines or bleed into a container. Wipe up spillage immediately.
3. With lines removed, loosen slide plate bolts. Hold slide plate at the top of the cylinder.
4. Remove slide plate, cylinder and lower cutting head support.

DUAL SLIDE PLATE REMOVAL

6. Lower the slide plate to the floor and place a wood block under the assembly.
7. Remove the front cylinder by taking the 1/2" bolt out of the bottom and removing the hitch clips and pin from the top of the cylinder.
8. Remove the E-clips from the pin at the bottom of the internal cylinder, then remove the pin.
9. Remove the pin from the top of the internal cylinder and then remove the cylinder from the machine.
10. Loosen the pinch bolt from the lower right side of the frame.
11. Remove the lock nut from securing bolts at the top of the slide plate.
12. Remove the socket head screws at the top of the dual slide from both sides of the assembly.
13. Install 3/8-16x5" bolts into the holes the socket head screws were removed from. Once installed the bolts should be used as lifting handles.
14. Lift the frame out of the machine, use team lift or forklift (Caution: very heavy).

LEAK MAINTENANCE

All fittings on this machine are O-ring style.

1. Disconnect machine from power.
2. If a leak is detected, tighten fitting with the proper wrench size. Do not over-tighten. Over-tightening could damage to O-rings.

CHECK OIL LEVEL

Check fluid level in the fill hole on the right side of the frame, in front of the rear wheel.

1. Remove filler plug.
2. Oil should be visible 2" below hole.
3. Reinsert plug.

OIL CHANGE OUT

1. Disconnect machine from power (charger or battery).
2. Drain fluid by removing the drain plug from side of tank.
3. Replace drain plug.
4. Remove filler plug.
5. Add oil into the filler plug hole until visual 2" below hole.

CHANGE/REMOVE HOSE

1. Disconnect machine from power.
2. Remove hood.
3. Using proper wrench size, remove hose from fitting.
4. When replacing, make sure O-ring is properly seated on hose fitting.

CHANGE WHEEL MOTOR

1. Disconnect machine from power.
2. Block up machine to remove wheel.
3. Remove wheel.
4. Remove oil lines from wheel motor. A small amount of oil will run out of the lines. Drain into a container. Wipe up spills immediately.
5. Remove four 1/2" wheel motor securing nuts.
6. Pull out on wheel motor to remove.

REMOVE/REPLACE FOOT PEG

1. Insert a socket wrench into foot peg and secure bolt head.
2. Remove nut.
3. Remove bolt and foot peg.
4. Replace foot peg before operating machine. Do not operate machine without foot pegs.

CHANGE PUMP

1. Open hood to expose pump.
2. Disconnect hydraulic lines.
3. Remove two 5/16" pump securing bolts.
4. Remove pump by pulling pump straight out from pump motor.

CHANGE VALVE

1. Disconnect machine from power (charger or battery).
2. Lift hood all the way back, resting on the hood bumpers.
3. Remove hoses from valve body. Have a container ready to catch leakage from lines.
4. Take notice of angle of valve fittings.
5. Remove two 5/16-18" bolts securing valve body.

Maintenance

CHANGE MOTOR

1. Disconnect motor from power.
2. Lift hood and secure in place.
3. Remove pump.
4. Loosen screws and nuts.
5. Raise motor; disconnect electrical connections.
6. Remove and replace motor.

CHANGE HYDRAULIC CYLINDER

1. Disconnect machine from power.
2. Disconnect cylinder lines. Have a container ready to catch oil from lines.
3. Remove cylinder securing hexhead bolt from lower cutting head support.
4. Remove clips and pin from cylinder and slide plate.
5. Remove cylinder upper pin.
6. Remove cylinder.

CHANGE HYDRAULIC FILTER

1. Place pan or rag below filter to catch excess hydraulic fluid.
2. Unscrew filter by hand or with wrench.
3. Use excess hydraulic fluid to lubricate seal on new filter.
4. Hand tighten replacement filter.

Note: Do not over-tighten filter. Filter should only be hand tightened.

CHANGE REAR WHEEL (FIG. 1)

1. Jack machine up by pushing the cylinder lift forward to lower and adjust the angle of the cutting head to raise machine.
2. Place blocks under forklift cups on the side of the machine that wheel is being changed.
3. Let cylinder down resting machine on blocks allowing rear wheel to be lifted off the floor.
4. Remove five 1/2" lug nuts with an extended arm wrench, remove wheel.
5. Replace wheel.
6. Replace five lug nuts and tighten, making sure lug nuts are very tight.
7. Raise cylinder to raise machine off of blocks. Remove blocks and lower machine.
8. Repeat on other side if necessary.

CHANGE CASTER

Keep clean and free of debris; ensure it can move freely.

1. Give a shot of grease in grease fitting on caster every month to keep caster moving freely.
2. To remove caster, machine will need to be raised. Push the cylinder lift lever forward to lower and adjust the angle of the cutting head to jack up the machine. Block up machine with wooden block. Remove four bolts, pull caster off and clean/replace as needed.
3. Replace caster.
4. Pull caster toward rear of machine; re-place and tighten the four bolts.
5. Lower the machine.

SEAT REPLACEMENT

1. Rotate hood to bumper stops.
2. Remove four nuts securing seat rails.
3. Replace seat; screw on nuts.

CLEAN WHEEL MOTOR BUILD-UP

1. Inspect the wheel motor and wheel motor hub for debris build-up (best accessed from back of machine). Remove any strands of carpet and use compressed air (not high pressure) to clean out dust or glue build-up. If any build-up cannot be removed this way, complete the following steps to remove the wheel hub.
2. Raise the front of the machine up by lowering the front cutting head down all the way, or by using 2 ton jack. Place blocks under the fork lift cup.
3. Slowly raise the cutting head until the machine is resting on the blocks and the wheel on the side that is blocked up is raised off the ground.
4. Remove the cotter pin and loosen the center wheel hub nut.
5. To loosen the wheel from the wheel motor shaft you might need to hit the steel rim from the inside with a rubber mallet.
6. Remove the wheel and remove the build up off of the wheel motor shaft.
7. Re-mount the wheel hub, making sure that the keyway matches on the motor shaft. Tighten down the wheel hub nut to press fit in the wheel hub.
8. Re-insert the cotter pin.
9. Lower the cutting head to raise the machine back off the blocks.
10. Repeat the process for the opposite side if needed.

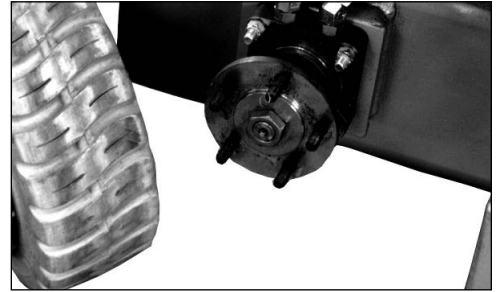
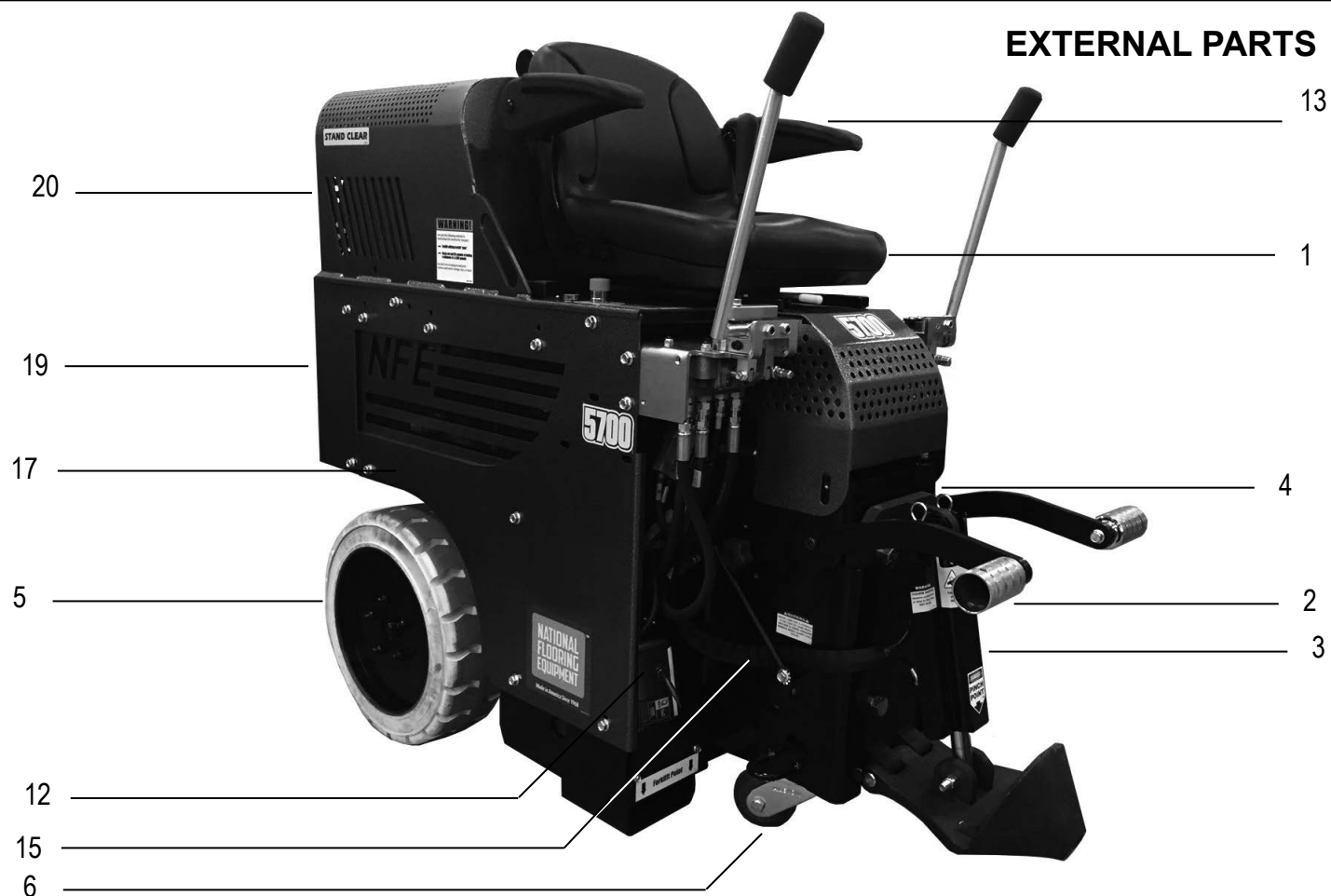


FIG. 1

Parts List and Diagrams

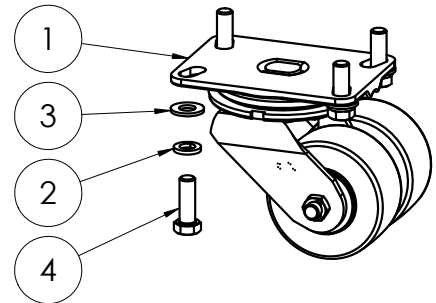


PART#	DESCRIPTION	QTY	PART#	DESCRIPTION	QTY
1	5110-111 SEAT, RIDE ON	1	401561-G	PANEL, SIDE, LEFT, GREEN (5700-12XXXX ONLY - NOT SHOWN)	1
2	5110-180 PEG, FOOT	2	401561-SV	PANEL, SIDE, LEFT, SILVER VEIN (5700-10XXXX, 11XXXX, 13XXXX, 17XXXX, 18XXXX, 20XXXX, 21XXXX, 23XXXX, 26XXXX ONLY - NOT SHOWN)	1
3	5110-250 CYLINDER NN16	1	401561-O	PANEL, SIDE, LEFT, ORANGE (5700-15XXXX ONLY - NOT SHOWN)	1
4	5110-251 ROD, CYLINDER CONNECT	1	17 401562-SV	WRAP, REAR, LOWER, SILVER VEIN (5700-10XXXX, 11XXXX, 13XXXX, 17XXXX, 18XXXX, 20XXXX, 21XXXX, 23XXXX, 26XXXX ONLY)	1
5	N/A SEE REAR WHEEL ASSEMBLY		401562-O	WRAP, REAR, LOWER, ORANGE (5700-15XXXX ONLY)	1
6	5200-194 CASTER, DOUBLE GRAY	1	401562-G	WRAP, REAR, LOWER, GREEN (5700-12XXXX ONLY)	1
7	5700-103 SWITCH, START (NOT SHOWN)	1	18 401563-SV	HOOD, RIDE-ON, SILVER VEIN (5700-10XXXX, 11XXXX, 13XXXX, 17XXXX, 18XXXX, 20XXXX, 21XXXX, 23XXXX, 26XXXX ONLY)	1
8	5700-102 SWITCH, E STOP (NOT SHOWN)	1	401563-G	HOOD, RIDE-ON, GREEN (5700-12XXXX ONLY)	1
9	401571 TUB, BATTERY (NOT SHOWN)	1	401563-O	HOOD, RIDE-ON, ORANGE (5700-15XXXX ONLY)	1
10	401572 COVER, BATTERY, UPPER (NOT SHOWN)	1			
11	401570 TRAY, BATTERY, UPPER (NOT SHOWN)	1			
12	N/A SEE CHARGER ASSEMBLY				
13	400321 ARMRESTS, KIT	1			
14	5110-207 SWITCH, SEAT (NOT SHOWN)	1			
15	5200-603 GUIDE, HOSE	1			
16	70638 KNOB, ADJUSTABLE (NOT SHOWN)	4			
	401560-G PANEL, SIDE, RIGHT, GREEN (5700-12XXXX ONLY)	1			
	401560-O PANEL, SIDE, RIGHT, ORANGE (5700-15XXXX ONLY)	1			
	401560-SV PANEL, SIDE, RIGHT, SILVER VEIN (5700-10XXXX, 11XXXX, 13XXXX, 17XXXX, 18XXXX, 20XXXX, 21XXXX, 23XXXX, 26XXXX ONLY)	1			

Parts List and Diagrams

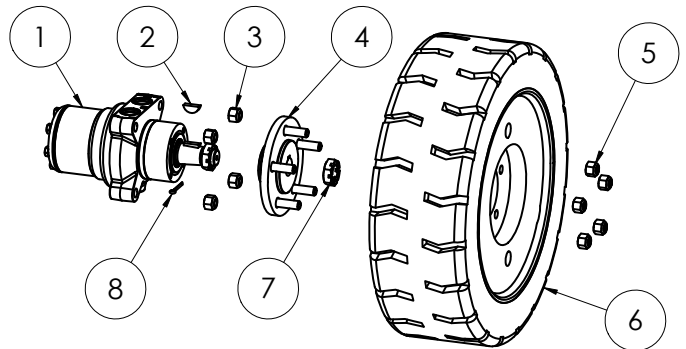
CASTER WHEEL ASSEMBLY

ITEM NO.	PART NUMBER	DESCRIPTION	QTY.
1	5200-194	Caster, Double Gray	1
2	73403	Washer, Split lock 1/2	4
3	73424	Washer, Flat, Zinc SAE 1/2	4
4	73427	Bolt, Hex Head Cap 1/2-13x1-1/2	4



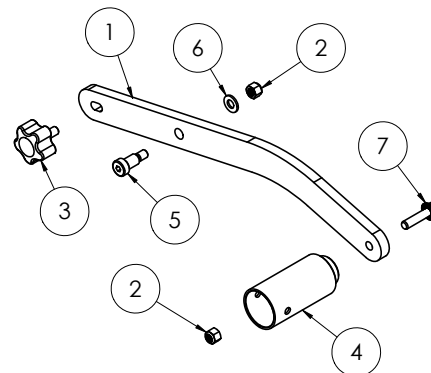
REAR WHEEL ASSEMBLY

ITEM NO.	PART NUMBER	DESCRIPTION	QTY.
1	400133	Motor, Wheel, Hydraulic, 10mm	1
2	73047	1/4 x 1 Woodruff Key	1
3	73402	Nut, Nylock 1/2-13	4
4	5110-117	Wheel, Hub	1
5	73430	Nut, NyLock 1/2-20	5
6	5110-405	Wheel, Rim and Tire, 18"	1
7	5110-117-2	Hub Nut	1
8	401433	Pin, Cotter 1/8 x 1.75	1



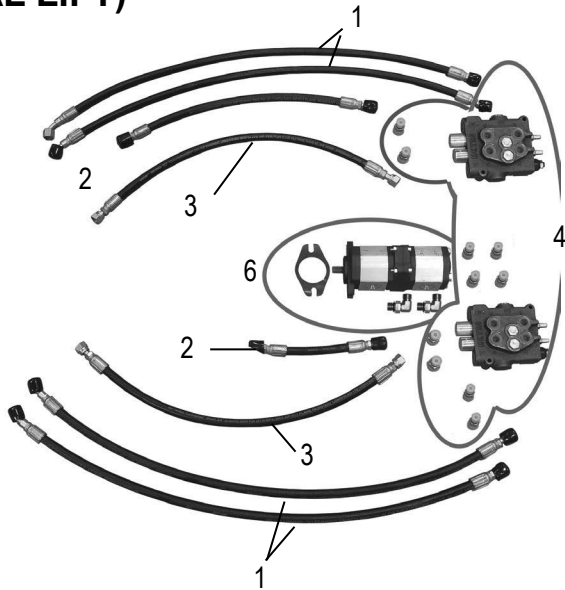
FOOT PEG ASSEMBLY

ITEM NO.	PART NUMBER	DESCRIPTION	QTY.
1	402298	Bracket, Pivot, Footrest	1
2	73207	NUT, NYLOCK, 3/8-16	2
3	401999	Knob, Adjustable, 3/4"	1
4	5110-180	Peg, Foot	1
5	402460	Bolt, Shoulder, .500 x .75, 3/8-16	1
6	73263	WASHER, FLAT SAE ZINC 3/8	1
7	73238	Bolt, Flange 3/8-16x1-1/2	1



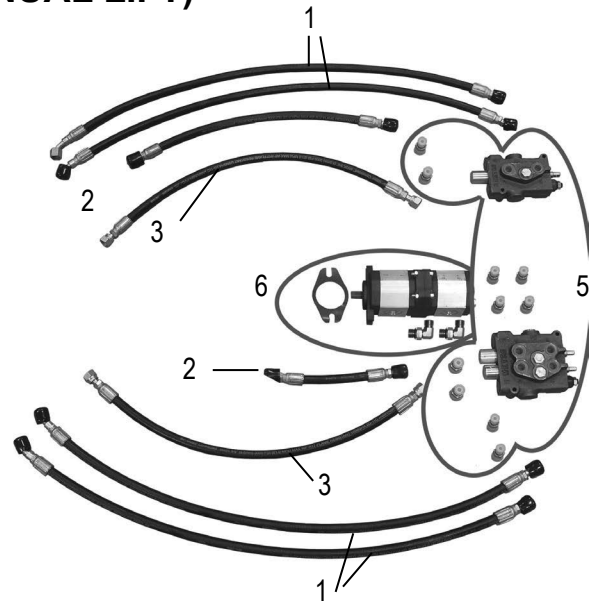
Parts List and Diagrams

SPOOL AND HOSE PARTS (DUAL LIFT)



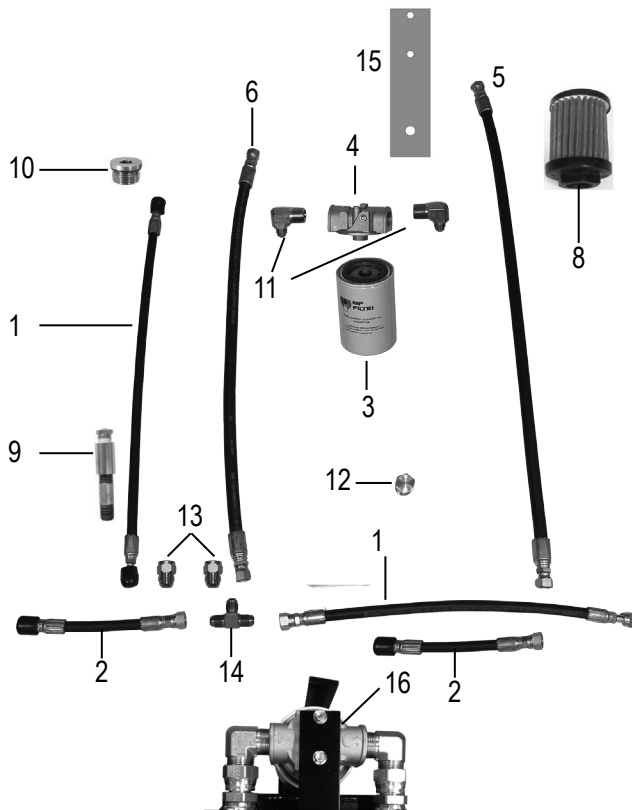
PART#	DESCRIPTION	QTY
1	5200-261 HOSE, WHEEL MOTOR	4
2	5700-72 HOSE, HYDRAULIC, 3/8 X 21, F/F	2
3	5700-76 HOSE, HYDRAULIC, 3/8 X 26, F/F	2
4	N/A SEE CONTROL LEVER PARTS (DUAL LIFT)	

SPOOL AND HOSE PARTS (MANUAL LIFT)



PART#	DESCRIPTION
5	N/A SEE CONTROL LEVER PARTS (MANUAL LIFT)
6	N/A SEE GEAR PUMP ASSEMBLY

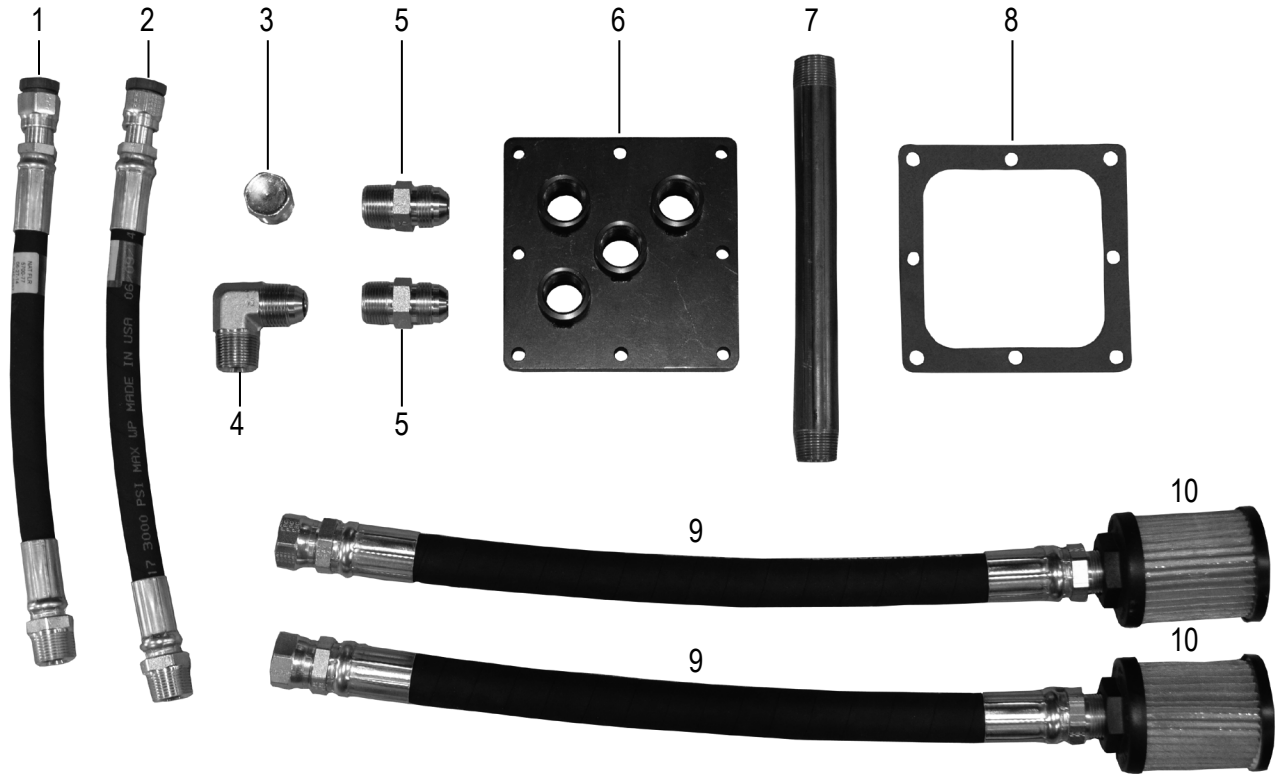
FILTER AND TANK PARTS



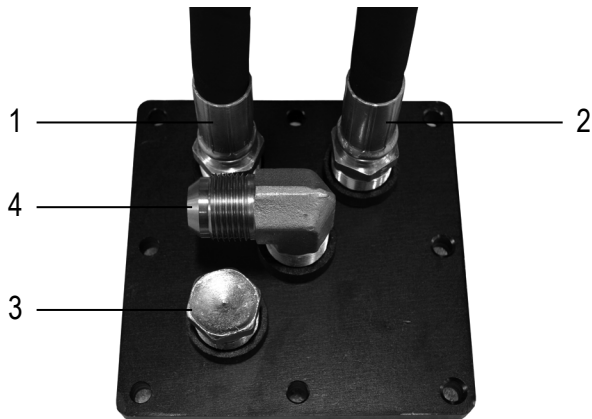
PART#	DESCRIPTION	QTY
1	5700-72 HOSE, HYDRAULIC, 3/8 X 21, F/F	2
2	5700-76 HOSE, HYDRAULIC, 3/8 X 26, F/F	2
3	5700-65 FILTER	1
4	5700-66 FILTER HEAD	1
5	70354 HOSE, 3/4", RETURN LINE TO TANK	1
6	70355 HOSE, 3/4", RETURN LINE TO FILTER	1
7	5110-267 HOSE, CYLINDER (NOT SHOWN)	1
8	5110-237 FILTER SCREEN	2
9	5110-234-1 PIPE, RELIEF VALVE	1
10	5110-157 PLUG, DRAIN FILLER	2
11	70653 FITTING, FILTER	2
12	5700-67 PLUG, TANK	1
13	70654 FITTING, REDUCER	1
14	5700-70 T FITTING	1
15	5700-58 BRACKET, FILTER	1
16	70613 BRACKET, OIL FILTER	1
17	73020 BOLT, WIZLOCK, 1/4-20X5/8 (NOT SHOWN)	2

Parts List and Diagrams

SUCTION ASSEMBLY

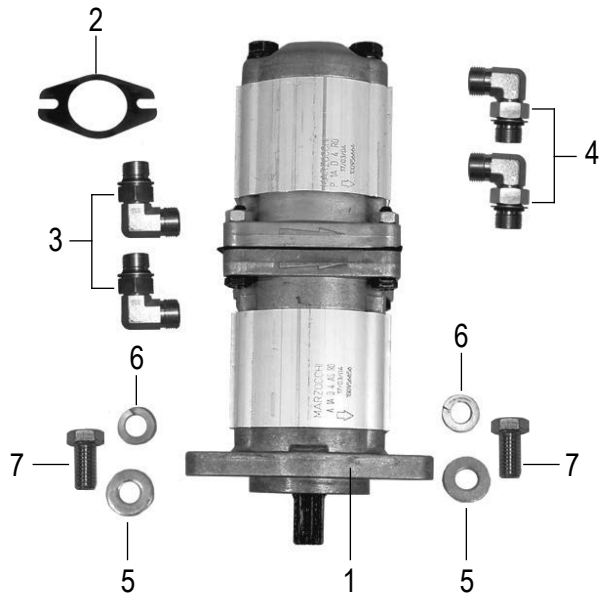


PART#	DESCRIPTION	QTY	PART#	DESCRIPTION	QTY
1	5700-77 ASSEMBLY, HOSE	1	7	70655 PIPE, MALE, 10" X 3/4	1
2	5700-81 HOSE, SUCTION LINE	1	8	5700-93 GASKET	1
3	5700-67 PLUG, TANK	1	9	400099 HOSE, SUCTION, 1/2" X 20" W/ FITTING	2
4	70653 FITTING, 90 DEGREE	1	10	5110-237 FILTER, SCREEN	2
5	70652 FITTING	2	11	73310 SCREW, SHC, 5/16-18 X 7/8	8
6	401574 PLATE, SUCTION	1	12	73303 WASHER, SPLIT LOCK, 5/16	8



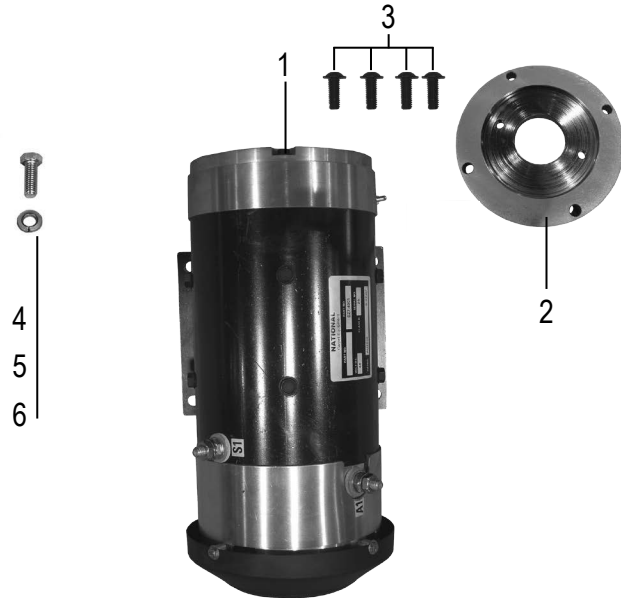
Parts List and Diagrams

GEAR PUMP ASSEMBLY



	PART#	DESCRIPTION	QTY
1	70905-D4	PUMP, DOUBLE, MARZOCCHI	1
	70905-D5	PUMP, DOUBLE, MARZOCCHI (5700-18XXXX ONLY)	1
2	5200-1G	GASKET, PUMP	1
3	72816	FITTING, ELBOW, 90 DEGREE, 3/8"	2
4	6280-118	FITTING, SUCTION HOSE TO PUMP	2
5	73263	WASHER, FLAT SEA ZINC 3/8	2
6	73204	WASHER, SPLIT LOCK 3/8	2
7	73205	BOLT, HEX HEAD CAP 3/8 16X3/4	2

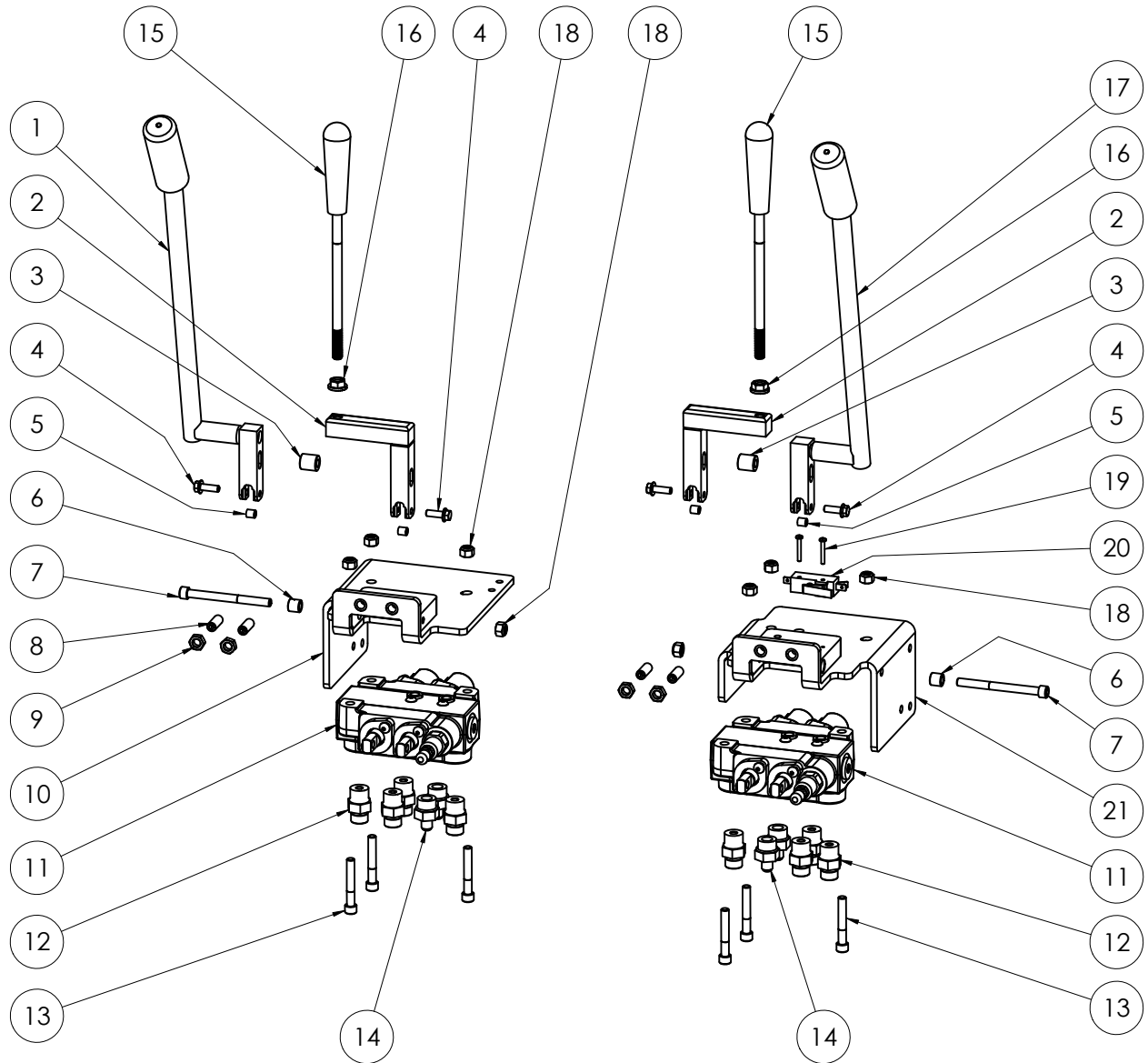
MOTOR PARTS



	PART#	DESCRIPTION	QTY
1	72385	MOTOR, 4 HP, XP2135	1
2	5200QL-1A	PLATE, HYDRAULIC PUMP ADAPTOR	1
3	73242	SCREW, BH CAP WITH FLANGE 3/8 16 X 1	4
4	73222	BOLT, FLANGE, 3/8-16 X 1	1
5	73207	NUT, NYLOC, 3/8-16	1
6	73263	WASHER, FLAT, 3/8	1

Parts List and Diagrams

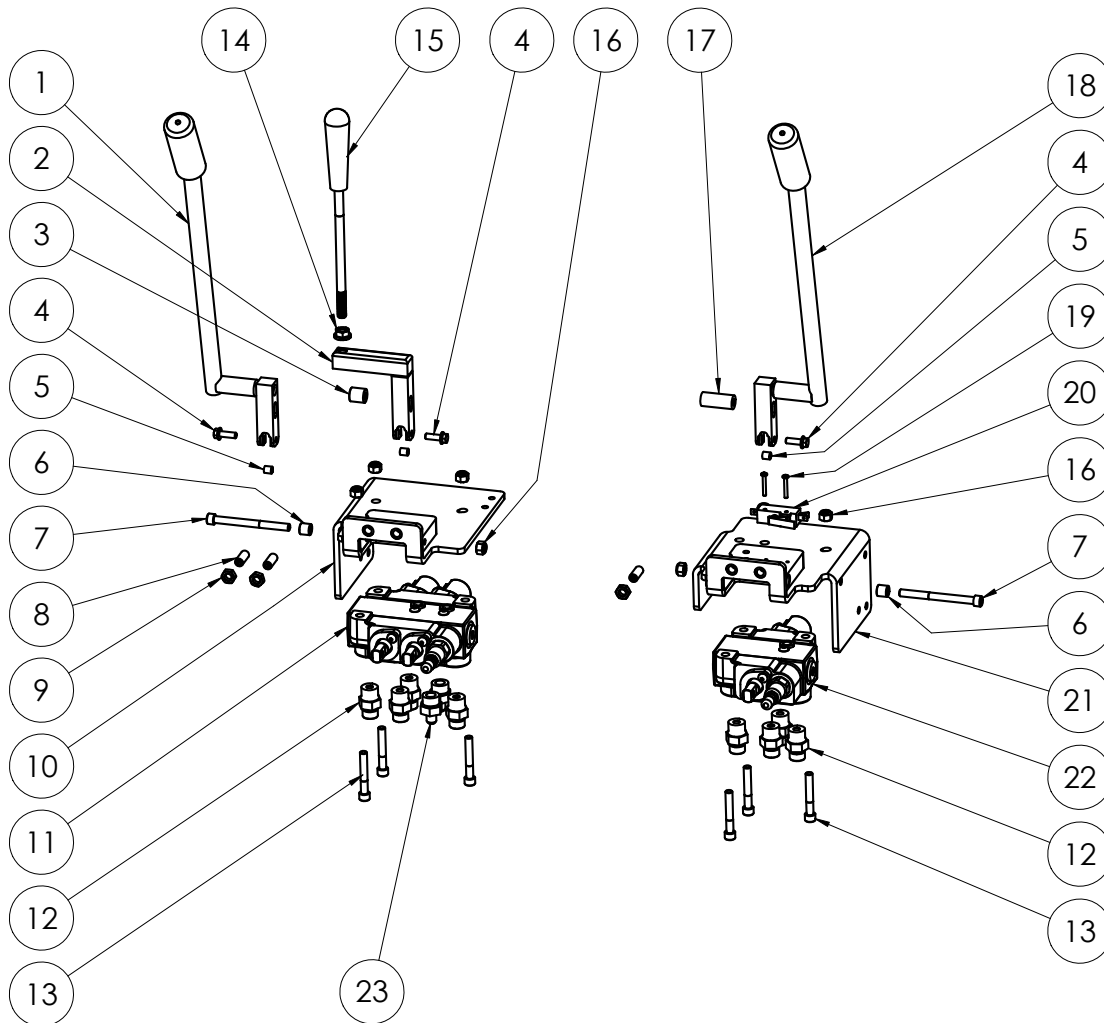
CONTROL LEVER PARTS (DUAL LIFT)



ITEM NO.	PART NUMBER	DESCRIPTION	QTY.	ITEM NO.	PART NUMBER	DESCRIPTION	QTY.
1	402416	Assembly, Valve Handle, Right	1	12	400034	Fitting, FF1231-06-08	8
2	401797	Bracket, Universal, Lever	2	13	73320	Bolt, Socket Head Cap 5/16-18x2	6
3	401408	Spacer, Round, .323 X .625 X .675	2	14	400137	Fitting, 1/2 - 1/4, JIC	4
4	73027	Bolt, Wizlock, 1/4-20 X 3/4	4	15	5700-60	Handle, Valve Adjustment	2
5	401604	Bushing, Lever, Hydro Valve	4	16	73211	Nut, Flange, Serrated, 3/8-16	2
6	402227	Sleeve, Take-up, Valve Brkt	2	17	402415	Assembly, Valve Handle, Left	1
7	73321	Bolt, SHCS, 5/16-18x3.5	2	18	73322	Nut, Nyloc, 5/16-18	8
8	73227	Screw, Set 3/8-24x1	4	19	74517	Screw, PPH-MS, 6-32x1	2
9	73235	Nut, Hex Jam 3/8-24	4	20	5110-218	Switch, Back-up Beeper	1
10	401796	Bracket Wldt, Valve, RH	1	21	401795	Bracket Wldt, Valve, LH	1
11	401832	Valve, Metered, Dual Spool, Low PSI	2				

Parts List and Diagrams

CONTROL LEVER PARTS (MANUAL LIFT)

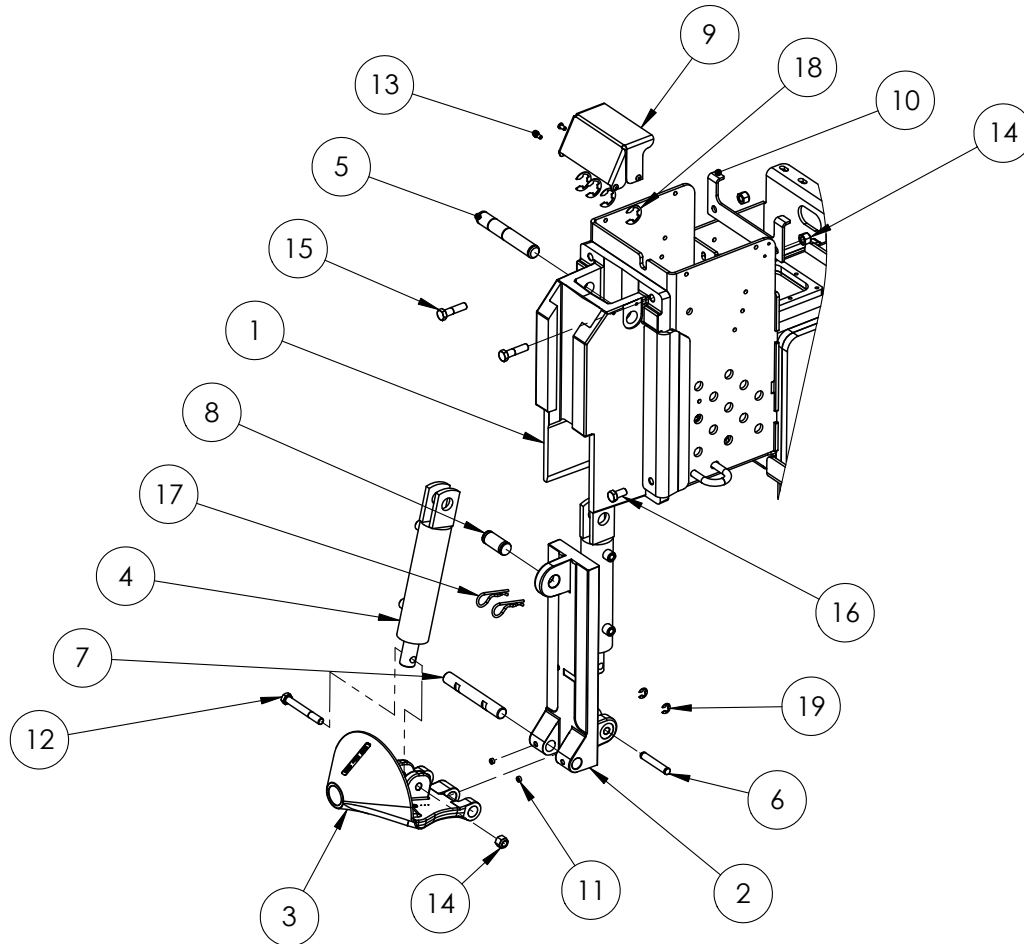


ITEM NO.	PART NUMBER	DESCRIPTION	QTY.
1	402416	Assembly, Valve Handle, Right	1
2	401797	Bracket, Universal, Lever	1
3	401408	Spacer, Round, .323 X .625 X .675	1
4	73027	Bolt, Wizlock, 1/4-20 X 3/4	3
5	401604	Bushing, Lever, Hydro Valve	3
6	402227	Sleeve, Take-up, Valve Brkt	2
7	73321	Bolt, SHCS, 5/16-18x3.5	2
8	73227	Screw, Set 3/8-24x1	3
9	73235	Nut, Hex Jamb 3/8-24	3
10	401796	Bracket Wldt, Valve, RH	1
11	401832	Valve, Metered, Dual Spool, Low PSI	1

ITEM NO.	PART NUMBER	DESCRIPTION	QTY.
12	400034	Fitting, FF1231-06-08	8
13	73320	Bolt, Socket Head Cap 5/16-18x2	6
14	73211	3/8-16 Flange Nut, Serrated	1
15	5700-60	Handle, Valve Adjustment	1
16	73322	Nut, 5/16-18 Nylock	7
17	401947	Spacer, Round, .323 X .625 X 1.455	1
18	402415	Assembly, Valve Handle, Left	1
19	74517	Screw, PPH-MS, 6-32x1	2
20	5110-218	Switch, Back-up Beeper	1
21	401795	Bracket Wldt, Valve, LH	1
22	401833	Valve, Metered, Single Spool, Low PSI	1
23	400137	Fitting, 1/2 - 1/4, JIC	2

Parts List and Diagrams

DUAL SLIDE PLATE

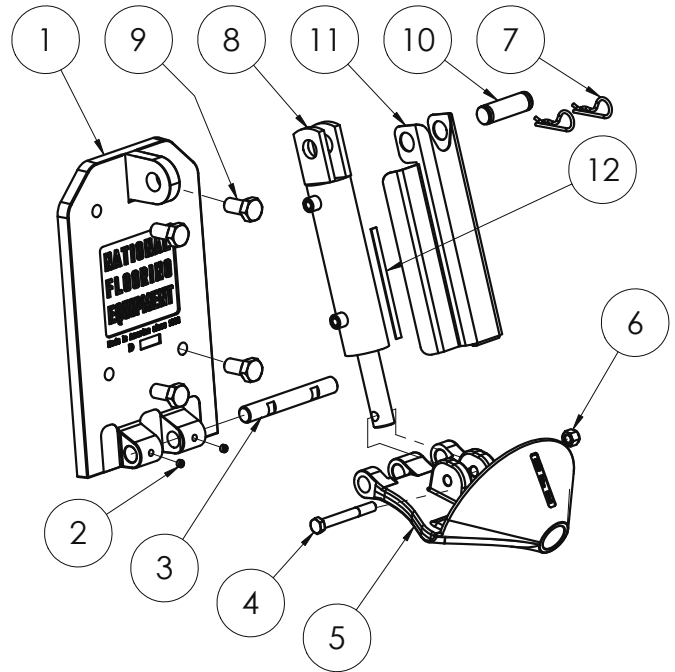


ITEM NO.	PART NUMBER	DESCRIPTION	QTY.
1	401566	Dual Lift, Frame, Cast	1
2	6500-11	Slide Plate, Dual Lift, Cast	1
3	401568	Lower Cutting Head Support	1
4	5110-250	Cylinder NN16	2
5	401859	Pin, Upper, Cast Dual Lift	1
6	6500-31	Pin Lower Middle	1
7	401429	Pin, Lower Cutting Head Support	1
8	5110-251	Pin, Cylinder Connect, Upper	1
9	401669	Cover, Hydraulic Lines, Cast	1
10	402317	Bracket, Stop, Hood	1
11	401876	SSS, 3/8-24 x .25, Black Oxide	2
12	400132	Bolt, Hex Head, 1/2-13 x 4, Grade 8	1
13	73004	Screw, Button Head Socket Cap 1/4-20x1/2	4
14	73402	Nut, Nylock 1/2-13	3
15	73413	Bolt, Hex Head 1/2-13x2	2
16	73418	Bolt, Hex Head 1/2-20x1	1
17	73536	5/8 Hitch Pin Clip	2
18	80083	E-Clip, 1" shaft	4
19	80084	E-Clip, 1/2" shaft	2

Parts List and Diagrams

MANUAL SLIDE PLATE

ITEM NO.	PART NUMBER	DESCRIPTION	QTY
1	401567	Slide Plate Base	1
2	401876	SSS, 3/8-24 x .25, Black Oxide	2
3	401429	Pin, Lower Cutting Head Support	1
4	400132	Bolt, Hex Head, 1/2-13 x 4, Grade 8	1
5	401568	Lower Cutting Head Support	1
6	73402	Nut, Nylock 1/2-13	1
7	73536	5/8 Hitch Pin Clip	2
8	5110-250	Cylinder NN16	1
9	73605	Bolt, Hex Head, Grade 8, 3/4-10x1-1/2	4
10	402576	Pin, Cylinder/Guard, Upper	1
11	402574	Shield, Cylinder	1
12	400296	Gasket, EPDM Foam	1



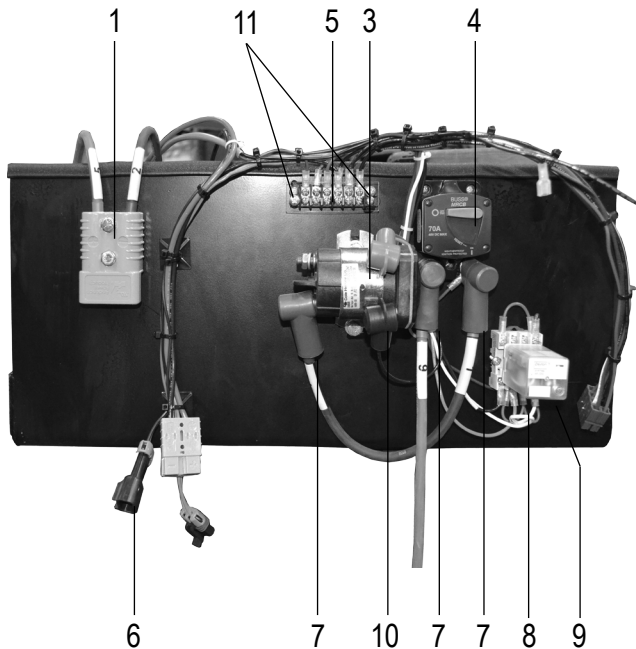
CHARGER ASSEMBLY



PART#	DESCRIPTION	QTY
1 402635	CORD, POWER, IEC C-13 TO 60309 4H, UK (5700-20XXXX ONLY)	1
402878	CORD, POWER, IEC C-13 TO 5-15P, US (DOMESTIC ONLY)	1
402879	CORD, POWER, IEC C-13 TO EU1-16P, EUR (5700-11XXXX, 15XXXX, 26XXXX ONLY)	1
402880	CORD, POWER, IEC C-13 TO AU1-10P, AUS (5700-13XXXX, 21XXXX ONLY)	1
2 402593	PLATE, MOUNTING, LVI	1
3 402578	CHARGER, BATTERY, 1500W, 108-250VAC, HIGH FREQUENCY, 360-400AH	1
402634	CHARGER, BATTERY, 1000W, 85-265VAC, HIGH FREQUENCY (5700-20XXXX ONLY)	1
4 402588	PLATE, MOUNTING, HIGH FREQUENCY CHARGER	1
5 402882	HARNESS, WIRE, CHARGER	1
6 402883	HARNESS, WIRE, SIGNAL	1
7 402886	PROBE, THERMAL	1
8 403047	ASSEMBLY, LOW VOLTAGE ALARM	1

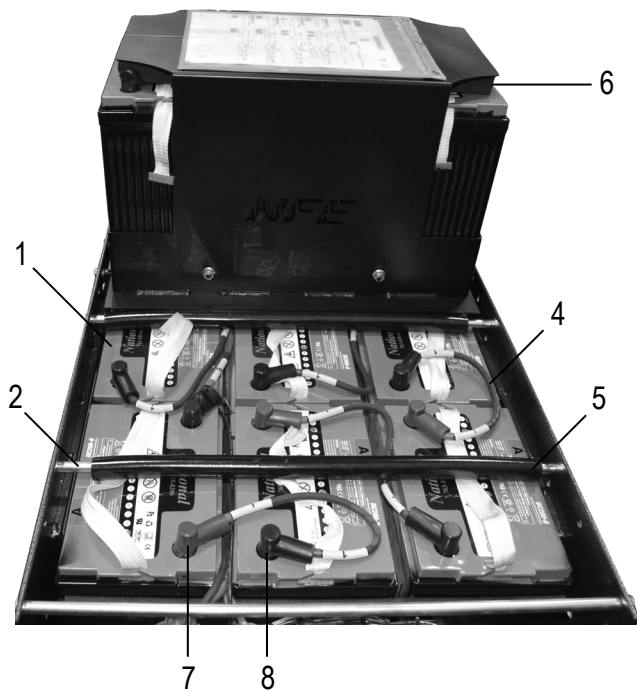
Parts List and Diagrams

ELECTRICAL BOX ASSEMBLY



PART#	DESCRIPTION	QTY
1	5200-118-8 CONNECTOR, BLUE 48V BATTERY	2
2	5700-100 WIRE SET (NOT SHOWN)	1
3	5700-104 SOLENOID	1
4	5700-106 BREAKER, CIRCUIT, 70 AMP	1
5	5700-85 COVER, TERMINAL STRIP	1
6	5700-80 HARNESS, MAIN	1
7	71703 PROTECTOR, BATTERY TERMINAL, RED	3
8	5700-90 RELAY, SOCKET	1
9	5700-91 RELAY	1
10	401450 BOOT, BATTERY TERMINAL BLK, SMALL	1
11	74508 SCREW, PHILLIPS PAN HEAD MACHINE 6-32X1/2	2

BATTERY



PART#	DESCRIPTION	QTY
1	5213-2 BATTERY, 8 VOLT, 2900	12
2	401674 ROD, HOLD-DOWN, BATTERY	3
3	5700-56 SPACER, BATTERY (NOT SHOWN)	4
4	5700-100 WIRE SET (PARTIALLY SHOWN)	1
5	5700-62 COVER, BATTERY HOLD DOWN	3
6	5200QL-50 PAD, SHOCK, BATTERY	3
7	71703 PROTECTOR, BATTERY TERMINAL, RED	17
8	71704 PROTECTOR, BATTERY TERMINAL, BLK	13

Parts List and Diagrams

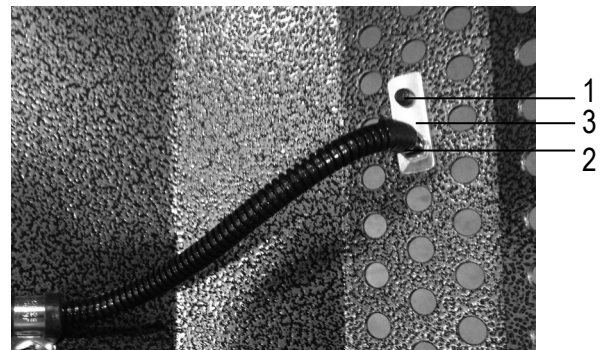
PART#	DESCRIPTION	QTY
1 401476	RISER, BATTERY TUB, FRONT	1
2 401477	RISER, BATTERY TUB, REAR	1

BATTERY RISERS



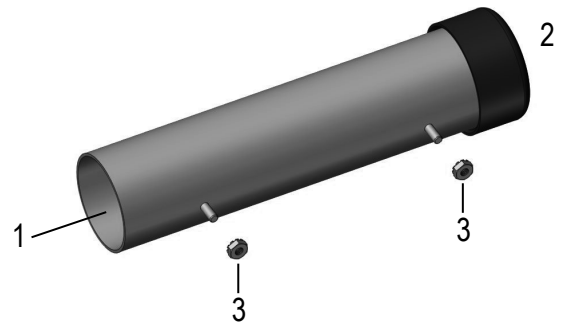
PART#	DESCRIPTION	QTY
1 73003	SCREW, BUTTON HEAD SOCKET CAP 1/4-20X5/8	1
2 5600-111	LIGHT, LED RED LVI	1
3 401603	BRACKET, LED, LVI	1

LVI LIGHT ASSEMBLY



PART#	DESCRIPTION	QTY
1 70602	TUBE, INSTRUCTION MANUAL	1
2 70603	CAP, INSTRUCTION TUBE	1
3 74425	NUT, KEPS LOCK 10/32	2

INSTRUCTION TUBE ASSEMBLY



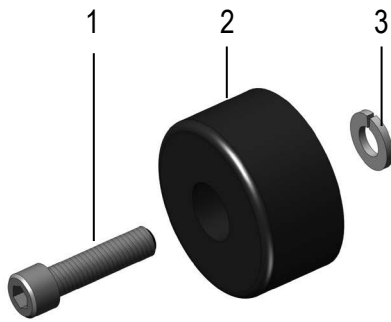
Parts List and Diagrams

BACKUP BEEPER ASSEMBLY



	PART#	DESCRIPTION	QTY
1	5200-116	BEEPER, BACK UP	1
2	73020	BOLT, WIZLOCK, 1/4-20X5/8	2

HOOD BUMPER ASSEMBLY



	PART#	DESCRIPTION	QTY
1	73020	BOLT, WIZLOCK 1/4-20X5/8	2
2	5600-66	BUMPER, HOOD	2
3	73002	WASHER, SPLIT LOCK 1/4	2

FRONT WHEEL ASSEMBLY

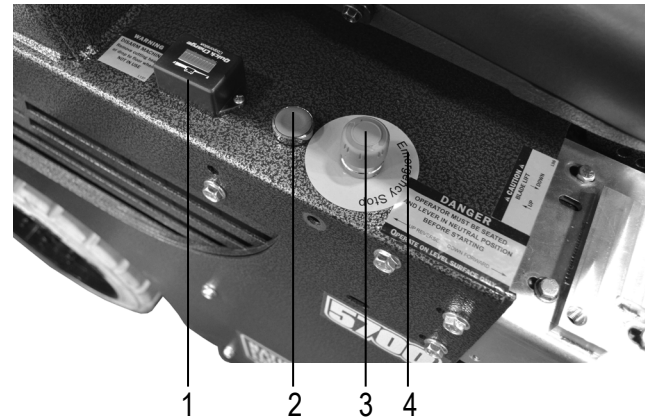


	PART#	DESCRIPTION	QTY
1	5110-100	TRANSPORT WHEEL	1
2	5110-100W	CASTER ASSY, 5", TRANSPORT WHEELS	2

Parts List and Diagrams

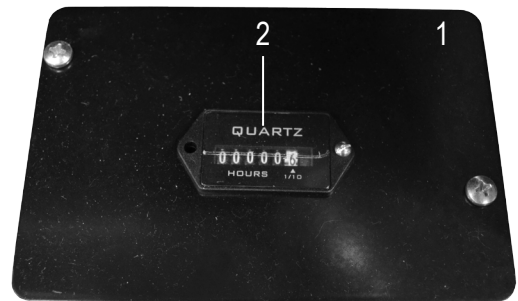
PART#	DESCRIPTION	QTY
1 5700-105	BATTERY FUEL GAUGE	1
2 5700-103	SWITCH, START	1
3 5700-102	SWITCH, E-STOP	1
4 5700-102D	NAME PLATE, EMERGENCY STOP	1

POWER CONTROLS



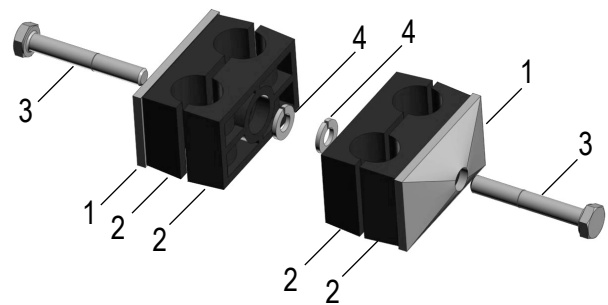
PART#	DESCRIPTION	QTY
1 401991	PLATE, HOUR METER	1
2 5700-88	METER, HOUR	1

HOUR METER



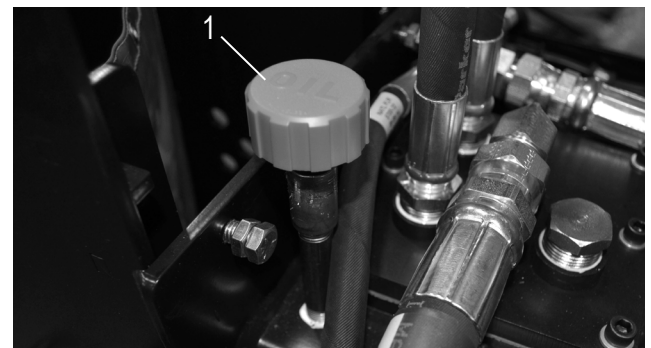
PART#	DESCRIPTION	QTY
1 5200-261-1A	CLAMP	2
2 5200-261-1B	BODY ONLY, CLAMP	4
3 73063	BOLT, HEX HEAD CAP 1/4-20X1-3/4	2
4 73002	WASHER, SPLIT LOCK 1/4	2

HOSE CLAMP ASSEMBLY



PART#	DESCRIPTION	QTY
1 80058	BREATHER, WITH 6" DIP STICK	1
2 402989	PIPE, RELIEF VALVE, 2-1/2"	1
3 5110-234	COUPLER, RELIEF VALVE	1
4 70655	PIPE, MALE, 10" X 3/4"	1

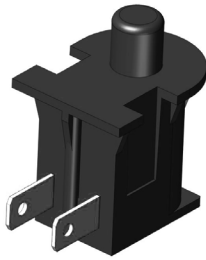
BREATHER DIP STICK



Parts List and Diagrams

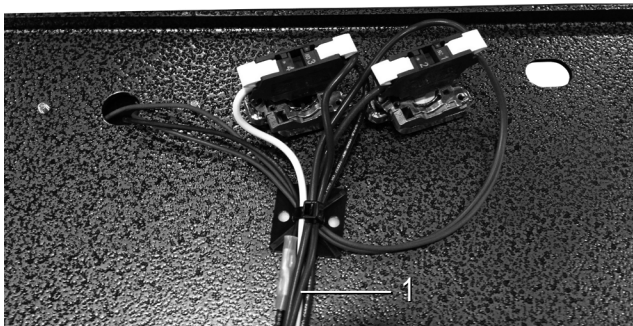
SEAT SWITCH

PART#	DESCRIPTION	QTY
1 5110-207	SWITCH, SEAT	1



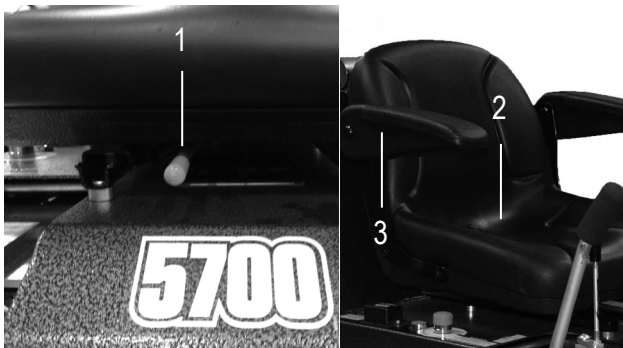
SEAT HARNESS

PART#	DESCRIPTION	QTY
1 5700-79	HARNESS, SEAT	1



SEAT ASSEMBLY

PART#	DESCRIPTION	QTY
1 401631	ADJUSTER, FORE/AFT, SEAT	1
2 5110-111	SEAT, RIDE-ON	1
3 400321	ARM RESTS, KIT FOR SEAT	1



WEIGHTS

PART#	DESCRIPTION	QTY
1 74854	WEIGHT, POCKET, CAST, RIDE ON	5
2 73424	WASHER, FLAT, ZINC SAE 5/8	7
3 73403	WASHER, SPLIT LOCK 1/2	7
4 73414	BOLT, HEX HEAD 1/2 13X7	1
5 73531	WASHER, FLAT, 5/8	1



Parts List and Diagrams

LABELS

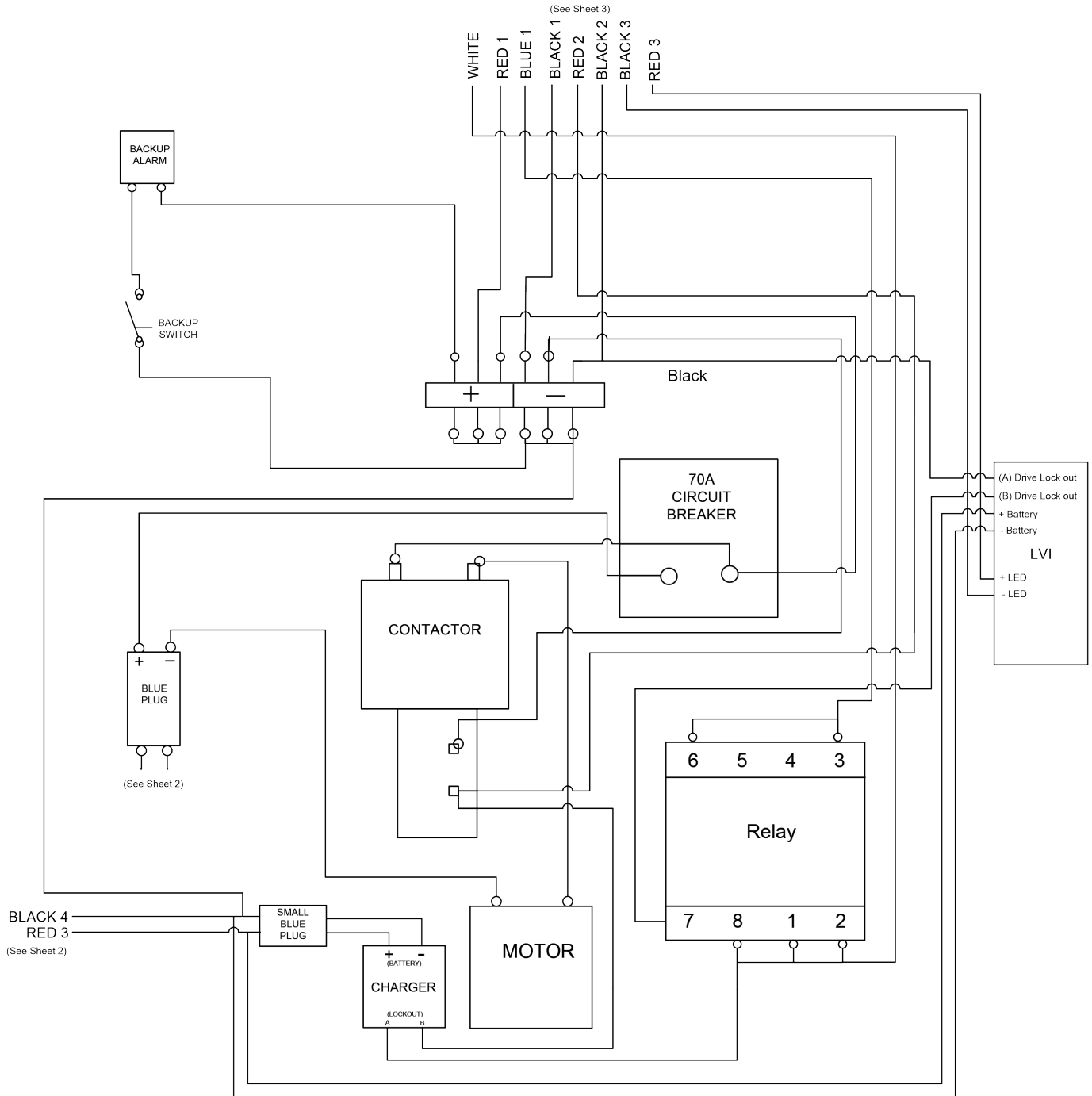


PART#	DESCRIPTION	QTY	PART#	DESCRIPTION	QTY
1	L08-1 LABEL, STAND CLEAR	2	12	L33B LABEL, CAUTION MOVING PART	1
2	L106 LABEL, PINCH POINT	2	13	L33C LABEL, INSTRUCTION MANUAL (NOT SHOWN)	1
3	L118 LABEL, OPERATOR MUST BE SEATED	2	14	L33D LABEL, AUTHORIZED PERSONEL ONLY	1
4	L127 LABEL, CAUTION OPERATING	1	15	L38 LABEL, DISCONNECT POWER	1
5	L137 LABEL, DISARM MACHINE	2	16	L66 LABEL, LARGE CAUTION	1
6	L155 LABEL, GENERAL WARNING	1	17	L95F LABEL, FLUID LEAK	2
7	L223 LABEL, PATENT NUMBER	1	18	L98 LABEL, BLADE LIFT	1
8	L305 LABEL, DO NOT GET CHARGER WET	1	19	402001 LABEL, NATIONAL LOGO, LARGE	2
9	L309 LABEL, "A"	6	20	402010 LABEL, 5700 LOGO	2
10	L310 LABEL, "B"	6	21	L165 LABEL, LARGE, RIDE ON	1
11	L311-2 LABEL, BATTERY	12			

Parts List and Diagrams

MAIN WIRING

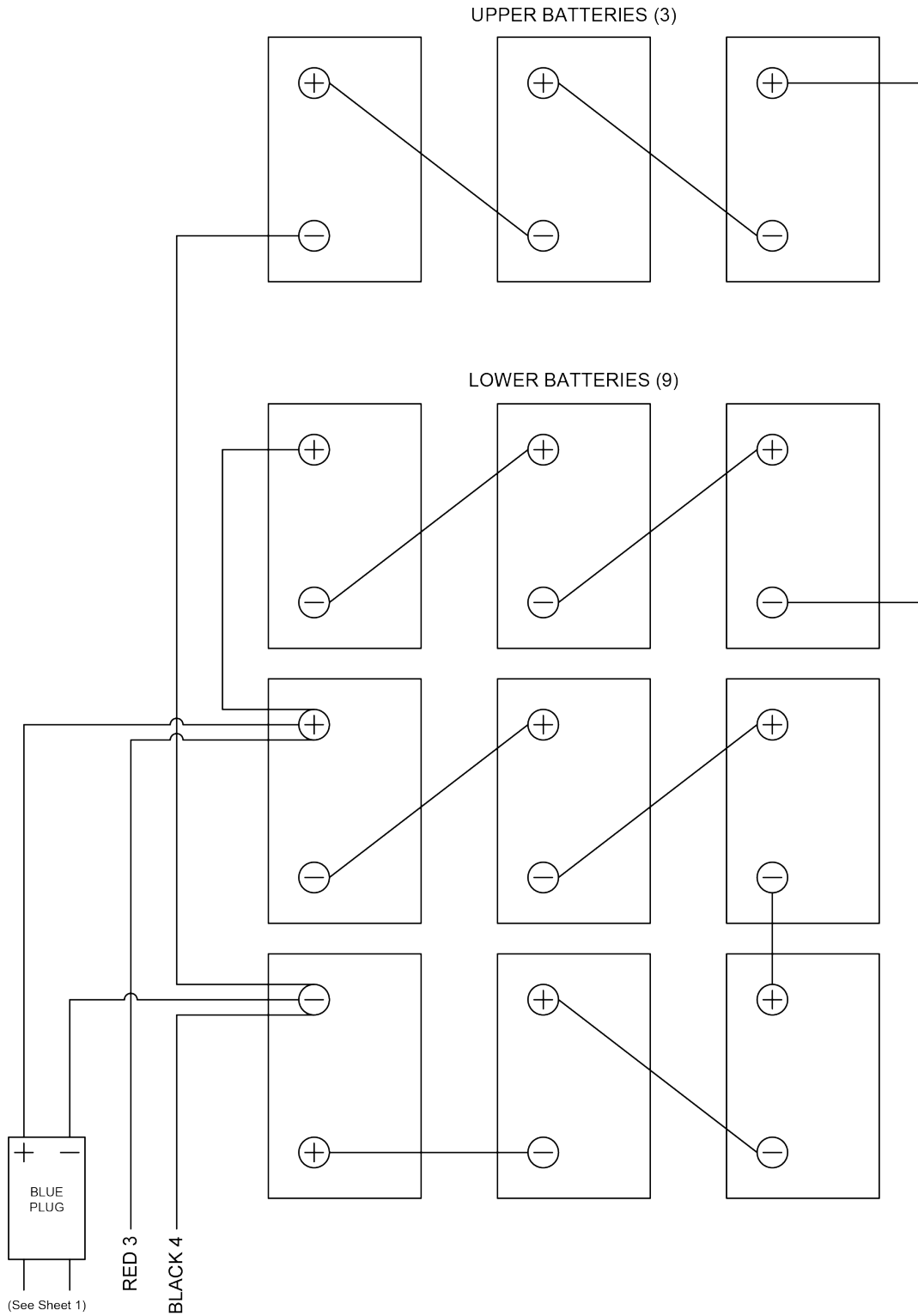
SHEET 1 OF 3



Parts List and Diagrams

BATTERY WIRING

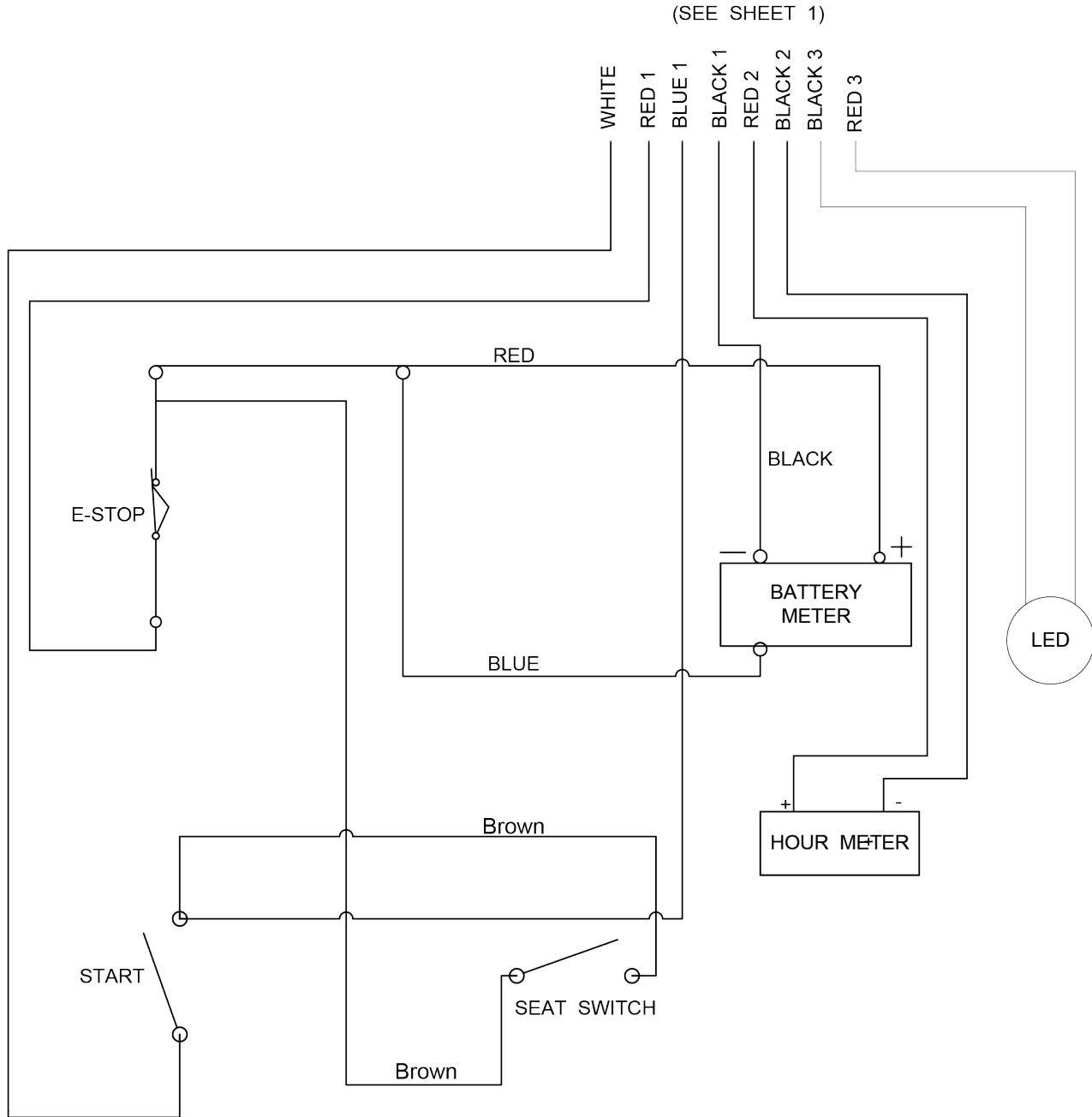
SHEET 2 OF 3



Parts List and Diagrams

SEAT WIRING

SHEET 3 OF 3



Warranty

National Flooring Equipment Inc. (referred to as "the Company") warrants that each new unit manufactured by The Company, to be free from defects in material and workmanship in normal use and service for a period of twelve (12) months from date of shipment from the Company. For administrative ease, will honor warranty for a period of fifteen (15) months from date of shipment from the company. Accessories or equipment furnished and installed on the product by the Company but manufactured by others, including but not limited to: engines, motors, electrical components, transmissions etc., shall carry the accessory manufacturers own warranty. Battery warranties are prorated over the warranty period. Customer is responsible for the inspection of equipment / parts upon delivery. Freight damages reported beyond authorized time frame will not be honored.

The Company, at its determination of defect, will repair or replace any product or part deemed to be defective in material or workmanship within specified warranty time period. All product determinations and / or repairs will take place at the designated Company repair facility, or at a certified warranty location designated by the Company. The Company will coordinate and be responsible for all freight expenses associated with valid warranty claims. Freight and shipping expenses associated with abuse or misuse will be back charged to the Distributor/Customer. The Company reserves the right to modify, alter or improve any part / parts without incurring any obligation to replace any part / parts previously sold without such modified, altered or improved part / parts. In no event shall the seller or manufacturer of the product be liable for special, incidental, or consequential damages, including loss of profits, whether or not caused by or resulting from the negligence of seller and / or the manufacturer of the product unless specifically provided herein. This warranty shall not apply to any products or portions there of which have been subjected to abuse, misuse, improper installation or operation, lack of recommended maintenance, electrical failure or abnormal conditions and to products which have been tampered with, altered, modified, repaired, reworked by anyone not approved or authorized by the Company or used in any manner inconsistent with the provisions of the above or any instructions or specifications provided with or for the product. Any and all unauthorized onsite warranty work conducted by unauthorized personnel or any outside person(s), is not covered by the Company unless the work has been pre-authorized by a predetermined manufacturer representative. This excludes wearable parts and/or consumables.

Defective or failed material or equipment shall be held at the purchaser's premises until authorization has been granted by the Company to return or dispose of defective products. Products returned for final inspection must be returned with a manufacturer authorized Return Material Authorization (RMA). Any unauthorized return of equipment will be declined at the dock by the Company. Any non-approved items returned with approved returned items are subject to rejection and will not be credited. Credit will be issued for material found to be defective upon the Company's inspection based on prices at time of purchase.

TO OBTAIN SERVICE CONTACT NATIONAL FLOORING EQUIPMENT, INC. TOLL FREE AT 800-245-0267 FOR A REPAIR AUTHORIZATION NUMBER. COD FREIGHT RETURNS WILL NOT BE ACCEPTED. FREIGHT COLLECT SHIPMENTS WILL NOT BE ACCEPTED. WARRANTY REPAIRS MUST BE ACCOMPANIED BY DATE OF PURCHASE RECEIPT AND A RETURN/REPAIR AUTHORIZATION NUMBER.

RETURN/REPAIR AUTHORIZATION NUMBER: _____

MACHINE SERIAL NUMBER: _____



Made in America Since 1968

9250 Xylon Avenue N • Minneapolis, MN 55445 • U.S.A.
Toll-free 800-245-0267 • Phone 763-315-5300 • Fax 800-648-7124 • Fax 763-535-8255
Web Site: www.nationalequipment.com • E-Mail: info@nationalequipment.com